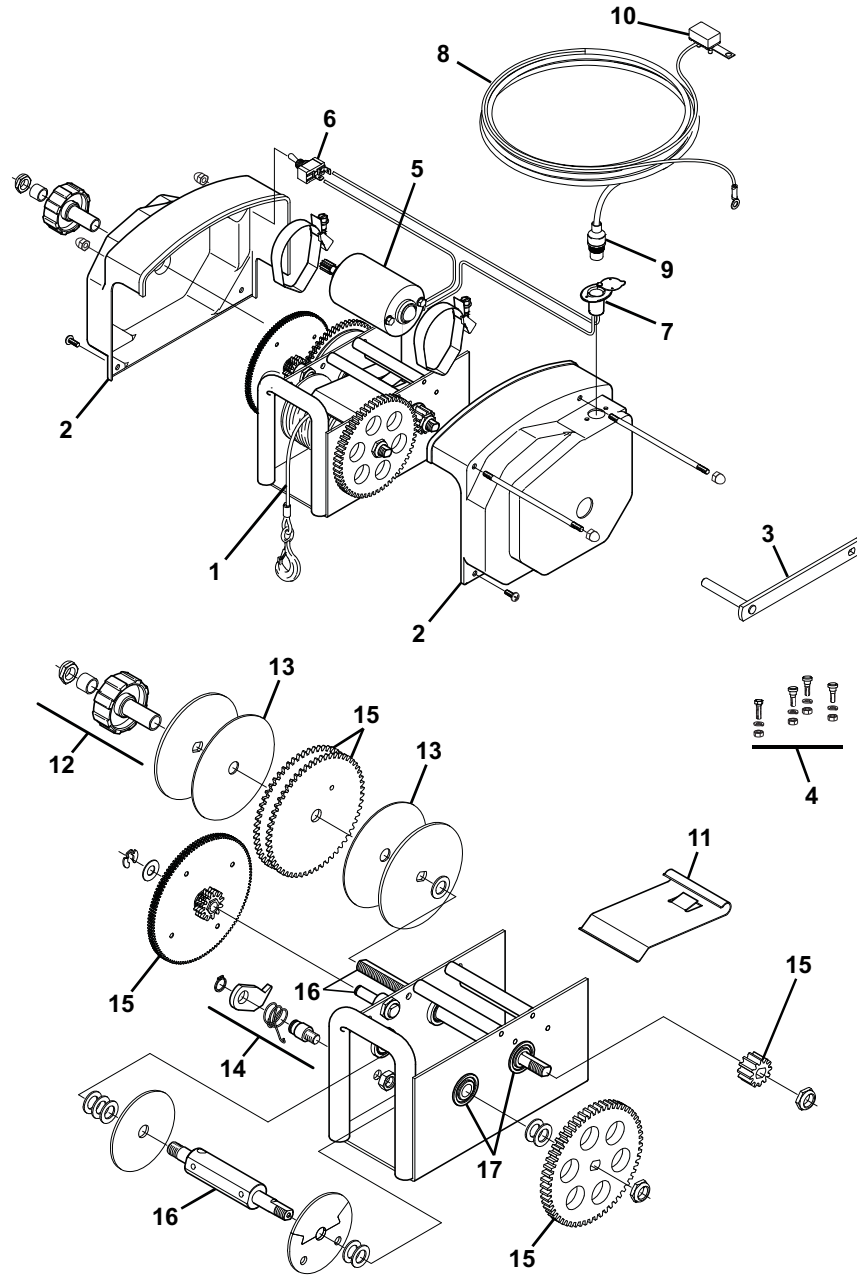


REPLACEMENT PARTS LIST

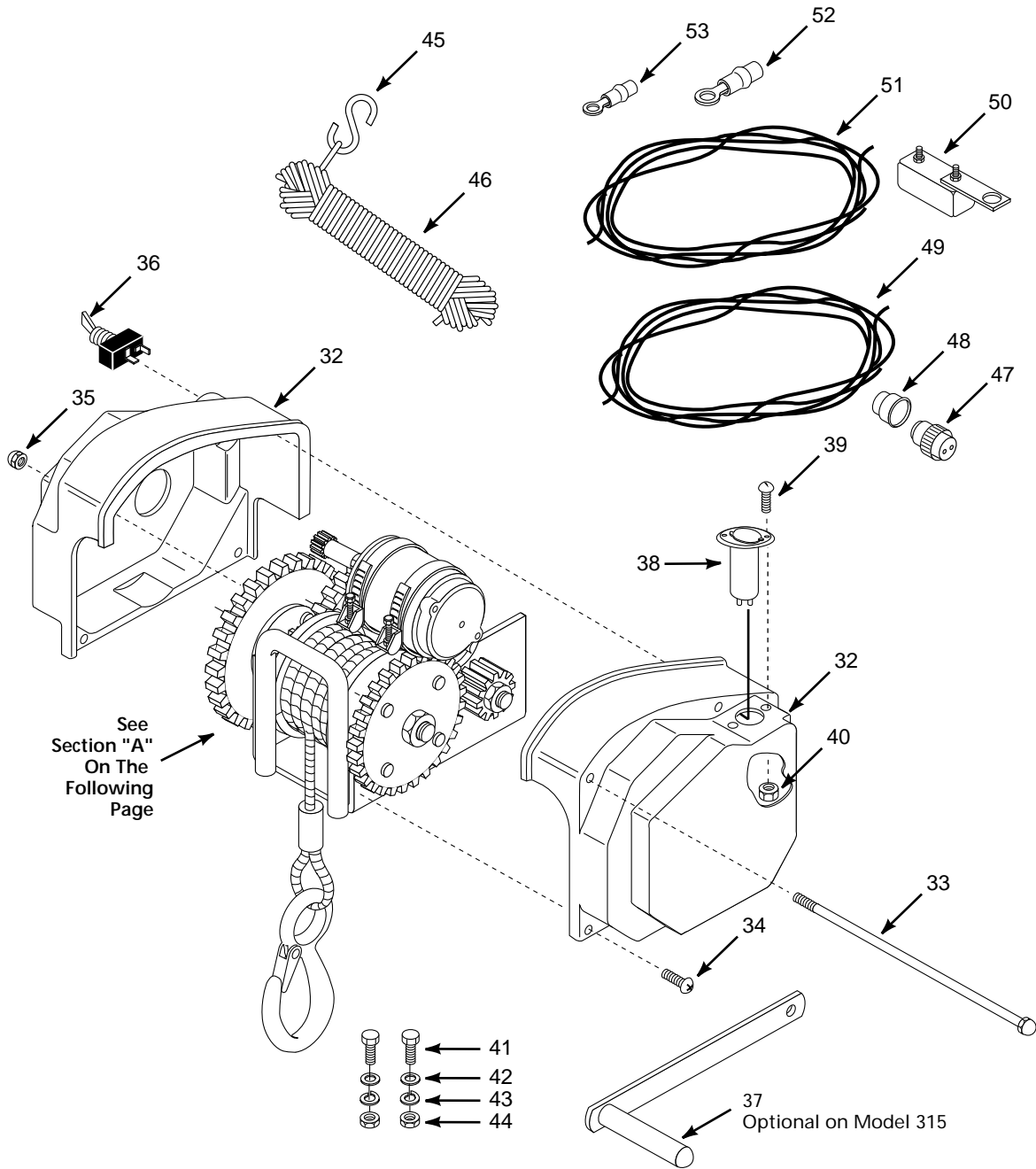


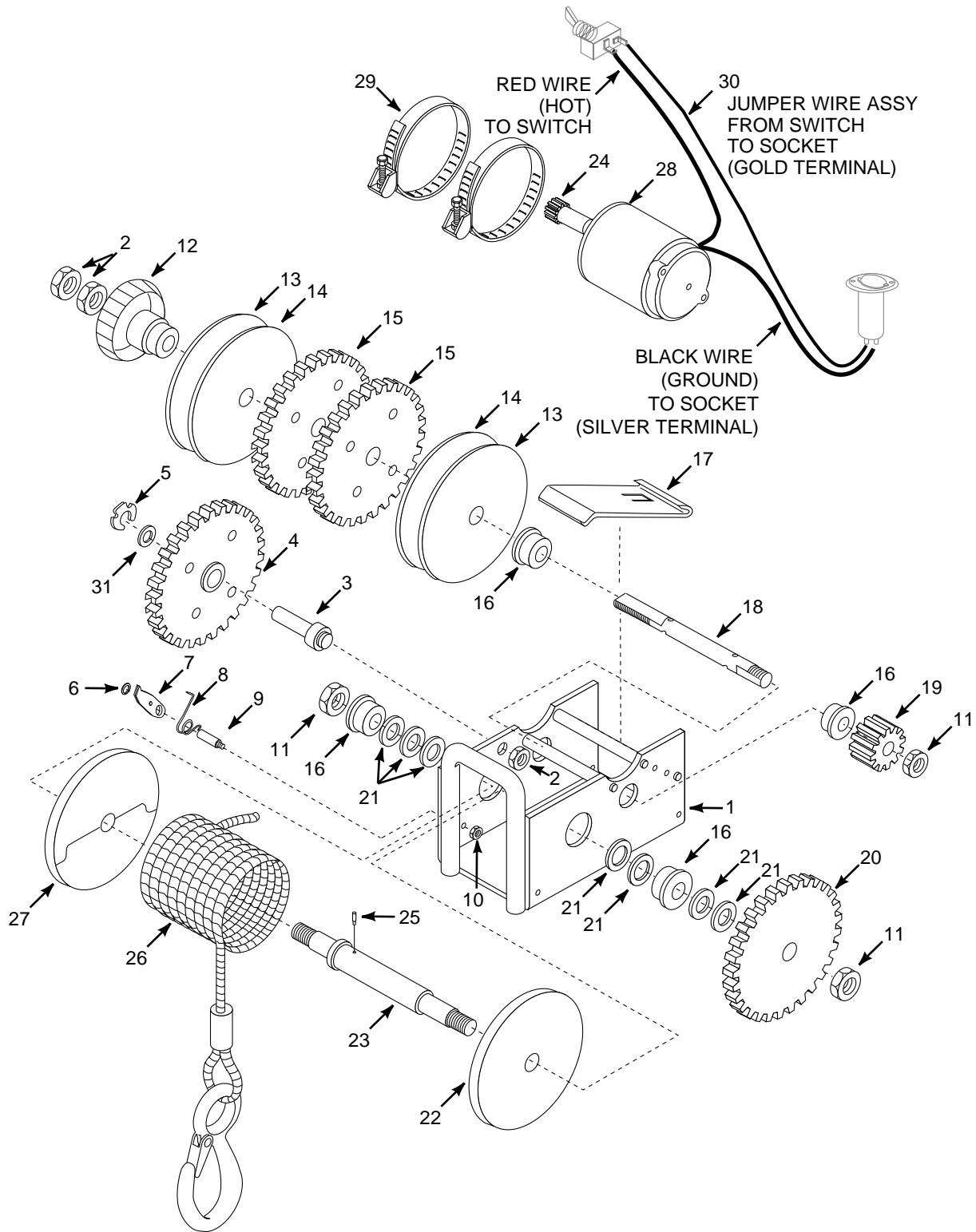
pw315501

315 BOAT TRAILER WINCH			POWERWINCH
Item	Part Number	Description	Notes
1	P7188500AJ	Cable Assy, 7/32" x 20'	
2	R001266	Cover Kit	1
3	P5594700AJ	Emergency Hand Crank	Optional
4	P7700000AJ	Quick Mount Kit	Optional
5	R001274	Motor Assy	
6	R001267	Switch	
7	P7816100AJ	Socket, Power	1
8	P7833901AJ	Wire Harness w/ items 9 & 10	
9	P7816001AJ	Plug, Wire Harness	
10	P7837200AJ	Circuit Breaker, 30amp	
11	R001260	Level Wind Plate	
12	P7940200AJ	Clutch Knob Kit	
13	R001262	Clutch Pad Kit	
14	R001265	Ratchet Pawl Kit	
15	R001264	Gear Kit	
16	R001268	Shaft Kit	
17	R001263	Bearing Kit	
18	R001269	Fastener Kit	

- Notes
1. Fasteners are included with kit.
 2. Fasteners and washers not indexed on illustration are part of the fastener kit (item 18).

tesstools.net





For Replacement Parts, Call 1-800-397-7553

Please provide following information:

- Model number
- Serial number (if any)
- Part descriptions and number as shown in parts list

Address parts correspondence to:

Powerwinch
100 Production Drive
Harrison, OH 45030

Ref. No.	Description	Part Number	Qty
1	Frame assembly	P70143	1
2	1/2"-20 Hex nut	P79713	3
3	Compound gear stud	P75608	1
4	Compound gear assembly	P71770	1
5	3/8 ID retainer ring	ST070235AV	1
6	Ring pawl retainer	ST070233AV	1
7	Pawl	P73803	1
8	Pawl spring	P71912	1
9	Pawl stud	P10108	1
10	3/8"-16 Hex jam nut	P79028	1
11	1/2-20 Lock nut	P79738	3
12	Clutch knob assembly	P79405	1
13	Clutch plate	P75302	2
14	Clutch lining	P73601	2
15	Clutch gear	P72999	2
16	Bearing	P71607	4
17	Levelwind plate	P70213	1
18	Rear shaft	P71212	1
19	Gear, pinion 12T	P71704	1
20	Cable shaft drive gear	P71703	1
21	1/2 Flatwasher	P71822	7
22	Solid cable shaft flange	P71955	1
23	Cable shaft	P71303	1
24	Motor gear	P71721	1
25	Cable fastener	P71858	1
26	Cable assembly	P71885	1
27	Split cable shaft flange	P71956	1
28	Motor assembly	P90002	1
29	Quick release motor clamp	ST161301AV	2
30	Jumper wire assy (power socket to switch)	P78040	1
31	.030 Race thrust washer	P71612	1
32	Cover	P10542	1
33	Cover rod	P75603	2
34	#10-32 x 1/2" Phillips head machine screw, self tapping	P79566	4
35	Acorn Nut	P79719	4
36	Toggle switch	P78126	1
37	Hand crank (optional)	P7704100AJ	1
38	Socket	P78161	1
39	5-40 x 1-1/2 Phillips head machine screw	ST071622AV	2
40	5-40 Hex nut w/tth lock	ST162803AV	2
41	3/8-16 x 1-1/4 Hex head machine screw	P78654	2
42	3/8 Plain washer	ST070913AV	2
43	3/8 Lockwasher	P79804	2
44	3/8 -16 Hex nut	P79710	2
45	S hook	P79013	1
46	Lanyard cord	P79014	1
47	Plug	P78160	1
48	Boot	P78128	1
49	Wire 12 gauge (red wire)	P78530	1
50	Circuit breaker	P78372	1
51	Wire 12 gauge (black wire)	P78531	1
52	5/16 Ring terminal	ST072726AV	1
53	#10 Ring terminal	ST072728AV	1

Notes
